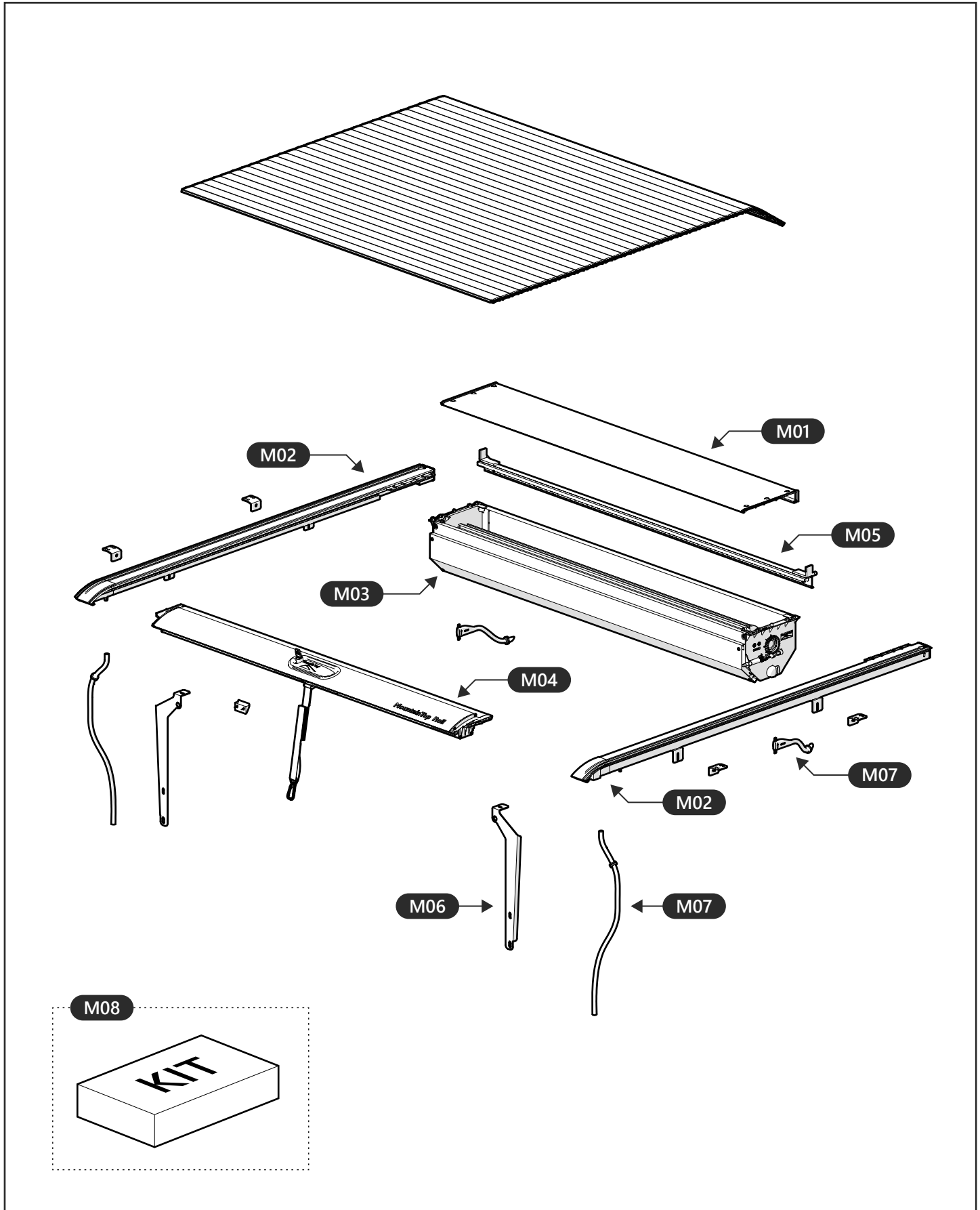


Mountain Top Roll, FORD Wildtrak

Spare parts

Mountain Top®
INDUSTRIES APS



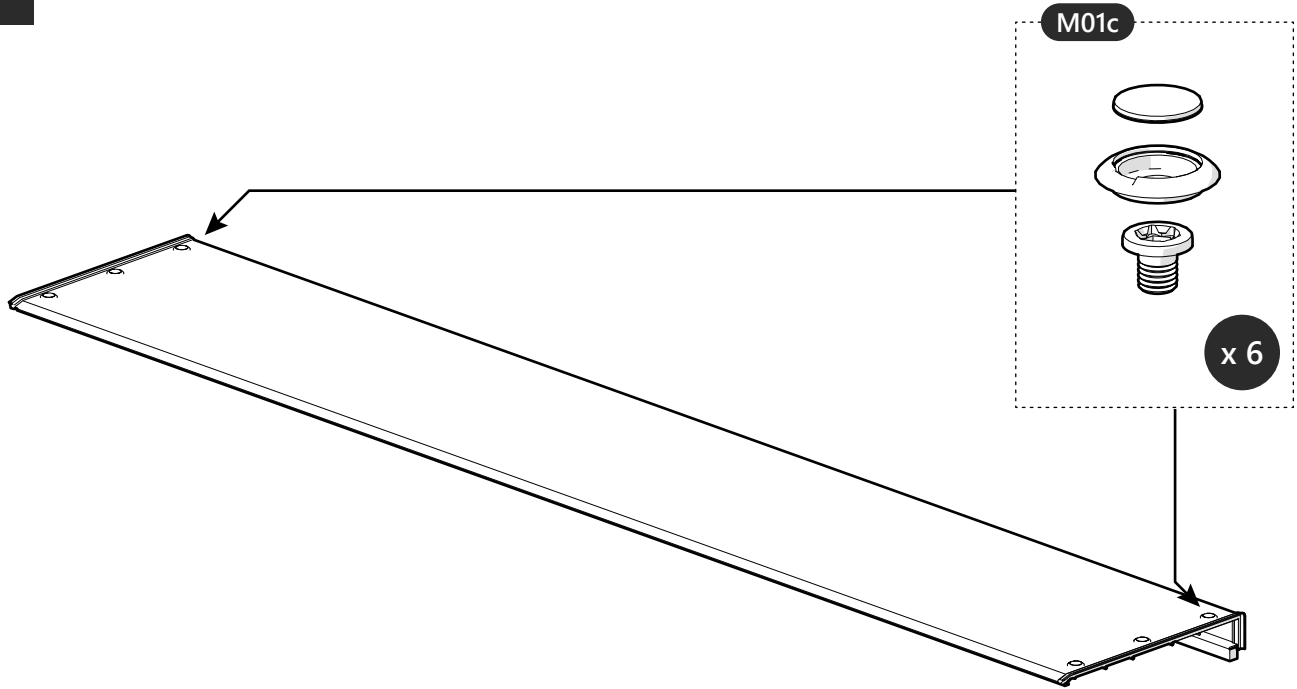
Mountain Top Roll, FORD Wildtrak

Spare parts

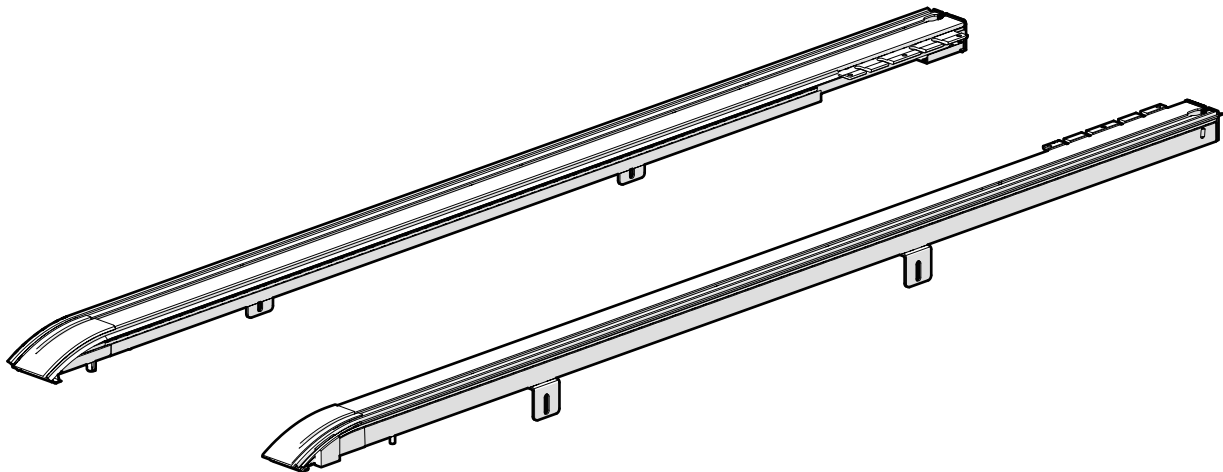
Mountain Top®
INDUSTRIES APS



M01



M02



886 030

Issue 4

17/01-2017

Spare parts, Mountain Top Roll

Page 2 / 6

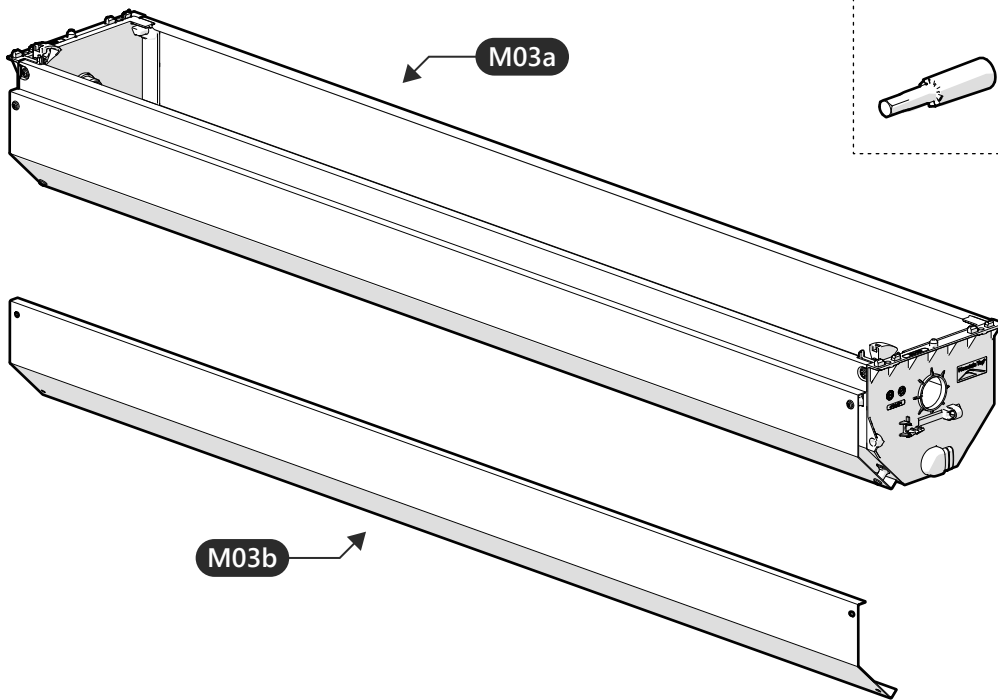
Mountain Top Roll, FORD Wildtrak

Spare parts

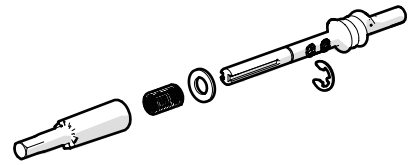
Mountain Top®
INDUSTRIES APS



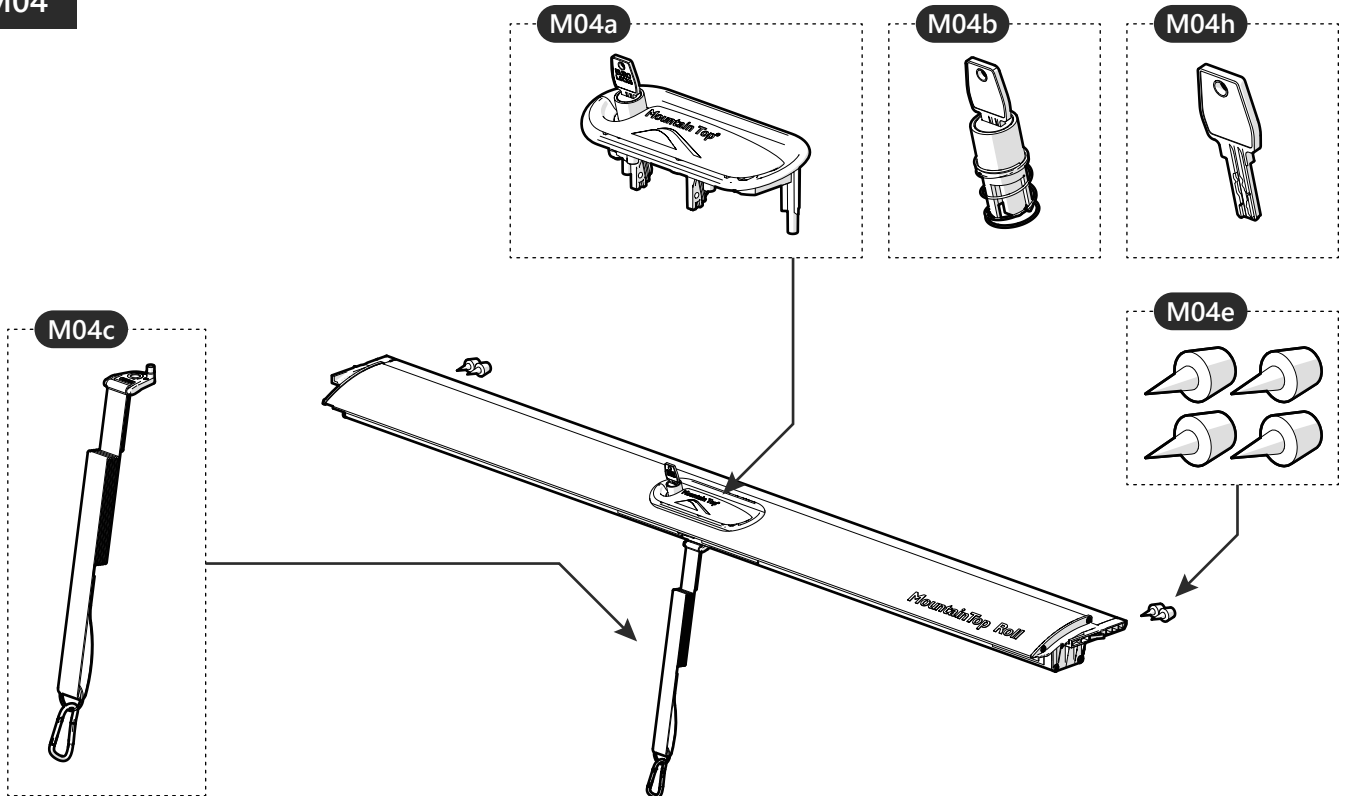
M03



M03e



M04



886 030

Issue 4

17/01-2017

Spare parts, Mountain Top Roll

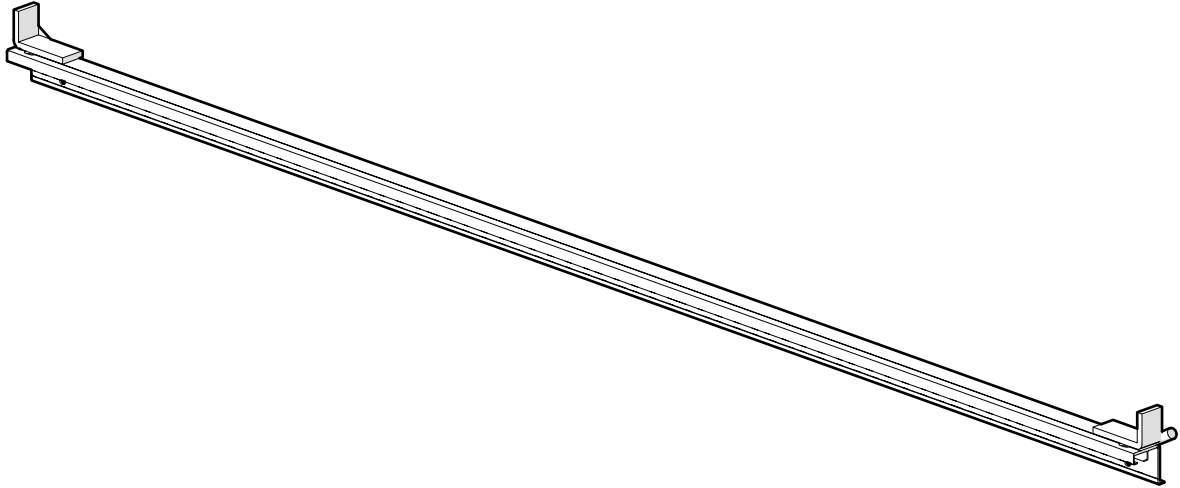
Page 3 / 6

Mountain Top Roll, FORD Wildtrak

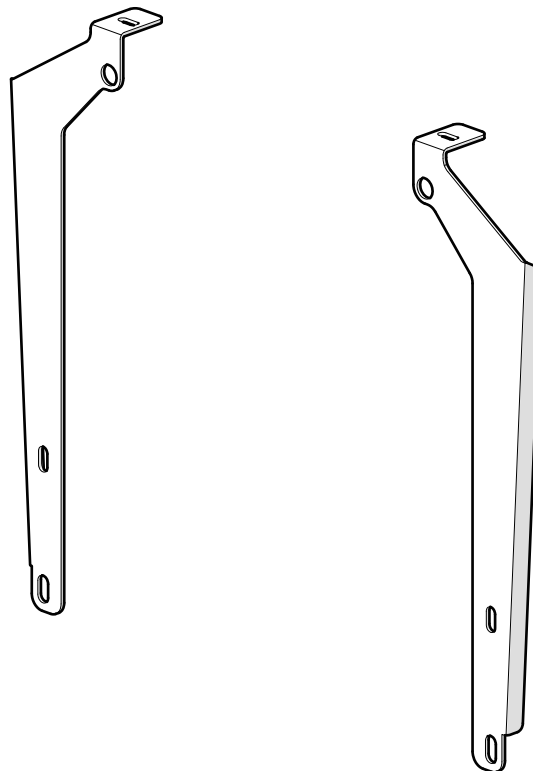
Spare parts



M05



M06



886 030

Issue 4

17/01-2017

Spare parts, Mountain Top Roll

Page 4 / 6

Mountain Top Roll, FORD Wildtrak

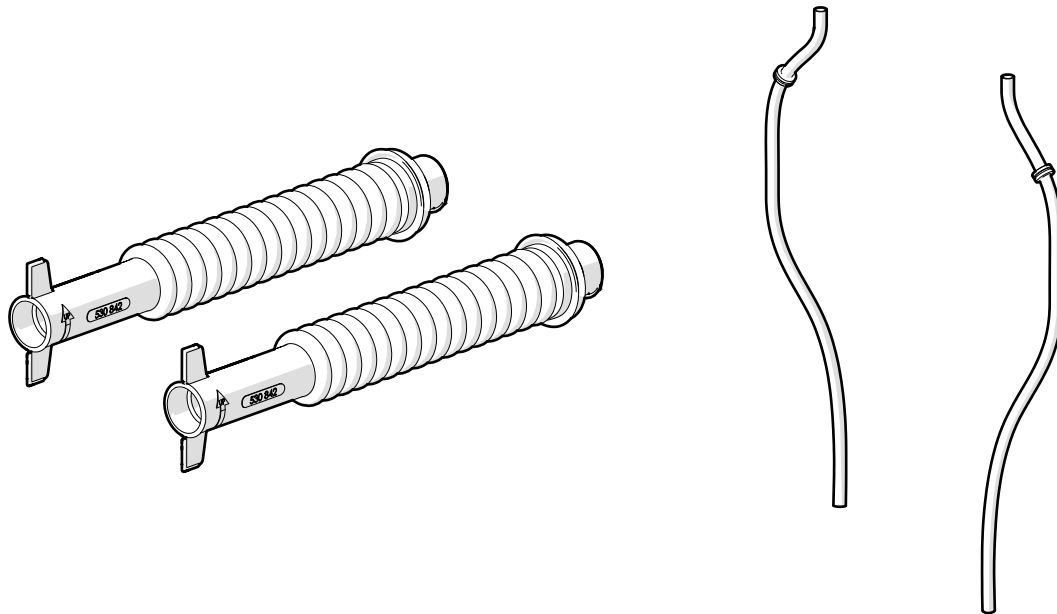
Spare parts

Mountain Top[®]
INDUSTRIES APS

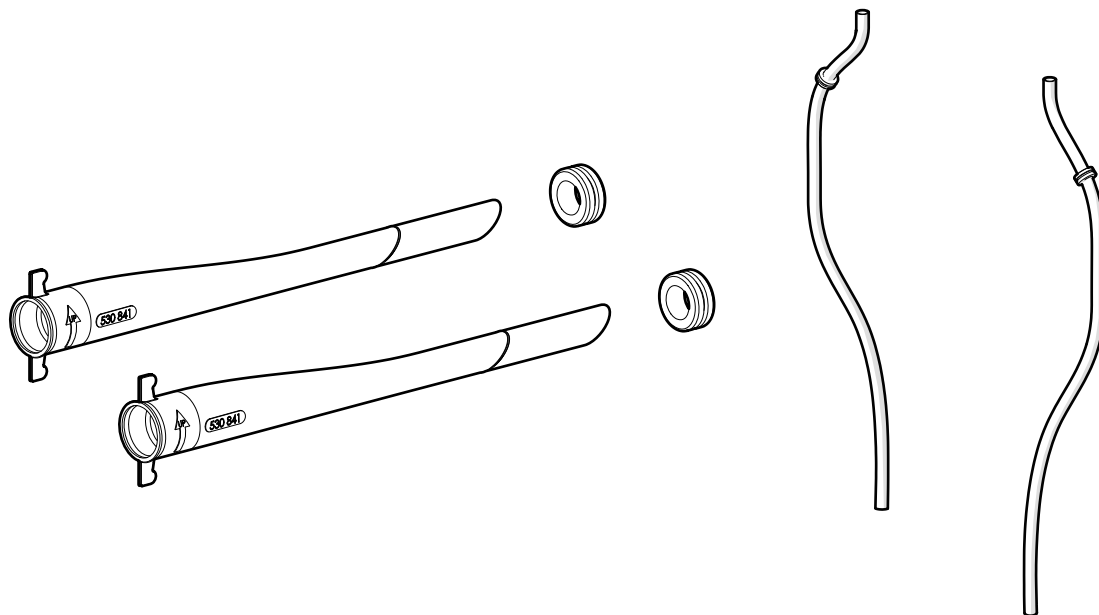


M07

M07a



M07b



886 030

Issue 4

17/01-2017

Spare parts, Mountain Top Roll

Page 5 / 6

Mountain Top Roll, FORD Wildtrak

Spare parts

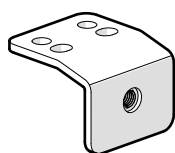
M08

M08d

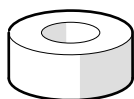
DC (Double Cab): A66SX-26501A34-CA / A66SX-26501A34-CB / A66SX-26501A34-CC

M08f

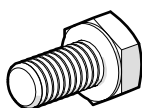
SC (Super Cab): A66SX-19501A34-BA / A66SX-19501A34-BB



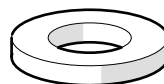
x 4 (DC)
x 6 (SC)



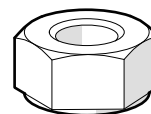
x 2



x 4 (DC)
x 6 (SC)



x 8 (DC)
x 10 (SC)



x 2



x 4



x 2



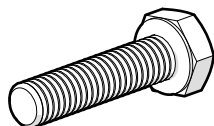
x 6



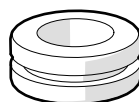
x 6



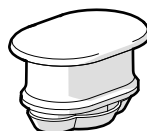
x 6



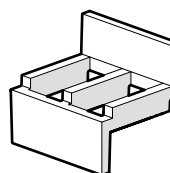
x 2



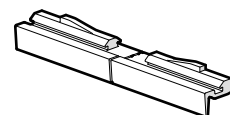
x 4



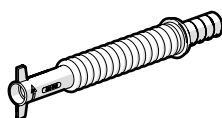
x 2



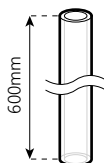
x 2



x 2



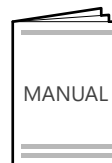
x 2



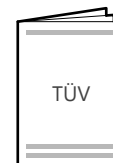
x 2



x 1



x 1



x 1



The contents of the kit may vary for different car models